



Making the world better.

## GPON OLT

FHL2100-16 (16\*GPON/4\*GE/4\*10G SFP+)

# Gerência Web



## GPON OLT

### FHL2100-16

#### Visão Geral

FHL2100-16 é uma OLT GPON de 16 portas PON, 4 portas up-link 1000Base-T e portas up-link de 10G SFP +. A porta SFP + possui uma função que pode se adaptar a 1GE SFP ou 10GE SFP +. Utiliza tecnologia líder da indústria para suportar totalmente o padrão de GPON ITU-T G.984.x e ITU-T G.988. Possui interoperabilidade para diferentes fabricantes.

O sistema FHL2100-16 tem boa estabilidade e alta confiabilidade e suporta vários modos de gerenciamento, como CLI, WEB e SNMP. A interface de gerenciamento gráfico já vem instalada, é clara, amigável e fácil de usar.

A FHL2100-16 adota tecnologia avançada com taxa de splitagem de até 1:128, oferecendo serviços avançados de Ethernet e recurso de QOS, suportando SLA e DBA. O modelo stand alone com altura de 1U é ideal para redes descentralizadas e pode ser facilmente instalada. É uma excelente escolha para os provedores implementarem redes FTTH rapidamente.

## Características

---

- \* Estrutura do sistema: Fornece 16 portas PON, 4 portas de uplink 1000Base-T e 4 portas ópticas de \*10GE.
- \* A porta SFP + pode se adaptar a 1GE SFP ou 10GE SFP.
- \* Capacidade do sistema: proporção de splitagem de 1: 128, suporta até 2048 clientes.
- \* Suporta 2 fontes de alimentação.
- \* Dispositivo de 1U, ocupa pouco espaço com baixo consumo de energia, o que reduz o custo total.

## Specification

---

General	
Modelo	FHL2100-16
Capacidade de Switching	168Gbps
Mac Address	64K
Portas	16*PON ports,4*10G SFP+,4*GE TX
Alimentação Redundância	Duas fontes de energia
Alimentação	AC:Input 85~264V,47~63Hz; DC:Input -36V~-75V;
Potência	80W
Dimensões (mm) (W*D*H)	440mm×310mm×44mm
440mm×310mm×44mm	≤5kg
Requerimentos Ambientais	Working temperature:-10°C~50°C Storage temperature:-40°C~85°C Relative humidity:5%~95%,no condensing

## Características do Produto

---

Gerall	
Modelo	FHL2100-16
GPON	Satisfy ITU -T G.984.x/ITU -T G.988 standard High splitter rate,each PON port supports 128*ONUs Maximum transmission distance of 20KM Support uplink FEC,downlink FEC(Forward Error Correction) ONU identifier authentication:SN

	/SN+PASSWD/LOID Bandwidth allocation mechanism 5 types of T-CONT bandwidth Static Bandwidth Allocation Dynamic Bandwidth Allocation
MAC	MAC Black Hole Port MAC Limit
VLAN	4K VLAN entries Port-based/MAC-based/IP subnet-based VLAN Port-based QinQ and Selective QinQ(Stack VLAN) VLAN Swap and VLAN Remark and VLAN Translate Based on ONU service flow VLAN add,delete,replace
Protocolo L2	STP,RSTP,MSTP
Portas	Bi-directional bandwidth control Static link aggregation and LACP(Link Aggregation Control Protocol) Port mirroring and traffic mirroring
Protocolo L3	OSPF,IS-IS,BGP
Segurança do Usuário	Anti-ARP Spoofing Anti-ARP Flooding IP Source Guard create IP+VLAN+MAC+Port binding Port Isolation MAC address binds to port and port MAC address filtration IEEE 802.1x and AAA/Radius authentication DHCP anti-attack,flood attack automatic suppression ONU isolation control
Segurança do Dispositivo	Anti-DOS attack(such as ARP,Syn flood,Smurf,ICMP attack),ARP detection,worm and Ms-blaster worm attack SSHv2 Secure Shell SNMP v3 encrypted management Security IP login through Telnet Hierarchical management and password protection of users
Segurança da Rede	User-based MAC and ARP traffic examination Restrict ARP traffic of each user and force-out user with abnormal ARP traffic

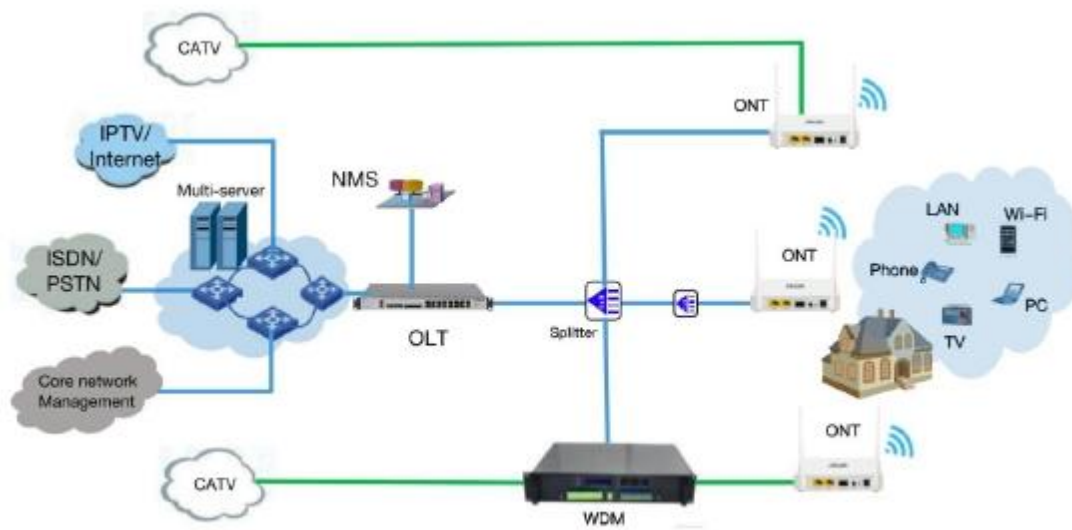
	<p>Dynamic ARP table-based binding</p> <p>Supports IP+VLAN+MAC+Port binding</p> <p>L2 to L7 ACL flow filtration mechanism on the 80 bytes of the head of user-defined packet</p> <p>Port-based broadcast/multicast suppression and auto-shutdown risk port</p> <p>URPF to prevent IP address counterfeit and attack</p> <p>DHCP Option82 and PPPOE+ upload user's physical location</p> <p>Plain-text authentication of OSPF/RIPv2 and MD5 cartography authentication</p>
IPv4	<p>ARP Proxy</p> <p>DHCP Relay</p> <p>DHCP Server</p> <p>Static route</p>
IPv6	<p>ICMPv6</p> <p>ICMPv6 redirection</p> <p>DHCPv6</p> <p>ACLv6</p> <p>Configured Tunnel</p> <p>6to4 tunnel</p> <p>IPv6 and IPv4 Tunnels</p>
ACL	<p>Standard and extended ACL</p> <p>Time Range ACL</p> <p>Packet filter providing filtering based on source/destination MAC address,source/destination IP address,port,protocol,VLAN,VLAN range,MAC address range,or invalid frame.System supports concurrent identification at most 50 service traffic</p> <p>Support packet filtration of L2~L7 even deep to 80 bytes of IP packet head</p>
QoS	<p>Rate-limit to packet sending/receiving speed of port or self-defined flow and provide general flow monitor and two-speed tri-color monitor of self-defined flow</p> <p>Priority remark to port or self-defined flow and provide 802.1P,DSCP priority and Remark</p> <p>CAR(Committed Access Rate),Traffic Shaping and flow statistics</p> <p>Packet mirror and redirection of interface and self-defined flow</p>

Super queue scheduler based on port and self-defined flow. Each port/flow supports 8 priority queues and scheduler of SP, WRR and SP+WRR. Congestion avoid mechanism, including Tail-Drop and WRED

Multicast	<ul style="list-style-type: none"> <li>IGMPv1/v2/v3</li> <li>IGMPv1/v2/v3 Snooping</li> <li>IGMP Filter</li> <li>MVR and cross VLAN multicast copy</li> <li>IGMP Fast leave</li> <li>IGMP Proxy</li> <li>MLDv2/MLDv2 Snooping</li> </ul>
Proteção de Loop	<ul style="list-style-type: none"> <li>EAPS and GERP(recover-time&lt;50ms)</li> <li>Loop-back detection</li> </ul>
Proteção de Link	<ul style="list-style-type: none"> <li>Flex-Link(recover-time&lt;50ms)</li> <li>RSTP/MSTP(recover-time&lt;1)</li> <li>LACP(recover-time&lt;10ms)</li> </ul>
Proteção do Dispositivo	<ul style="list-style-type: none"> <li>Double fault-tolerant backup of host program and configuration files</li> <li>1+1 power hot backup</li> </ul>
Manutenção da Rede	<ul style="list-style-type: none"> <li>Telnet-based statistics</li> <li>RFC3176 sFlow</li> <li>LLDP</li> <li>RFC 3164 BSD syslog Protocol</li> <li>Ping and Trace route</li> </ul>
Gerenciamento	<ul style="list-style-type: none"> <li>Web management, Console/Telnet, Command-line interface (CLI)</li> <li>Upgrade via FTP</li> <li>System configuration with SNMPv1/v2/v3</li> <li>RMON (Remote Monitoring)</li> <li>Support SNTP network time protocol</li> </ul>

## Aplicação

---



ONECONNECT – PHYHOME

E-mail : [comercial@oneconnect.com.br](mailto:comercial@oneconnect.com.br)

Web : [www.oneconnect.com.br](http://www.oneconnect.com.br)